

VLT® 2800

VLT 2803 1/3x 200-240V

CT 160%; 0,37 kW / 2,2 A

ST Standard version

SB ST + brakechopper

| VLT 2803 1/3x 200-240V - excl. RFI-filter (R0) | Article nr. | Price GBP | Article nr. | Price GBP |
|--|-------------|-----------|-------------|-----------|
| | ST | | SB | |
| Enclosure IP 20 | 195N0001 | 206 | 195N0002 | 233 |
| Enclosure IP20 + Profibus DP 3 Mb | 195N0005 | 314 | 195N0006 | 341 |

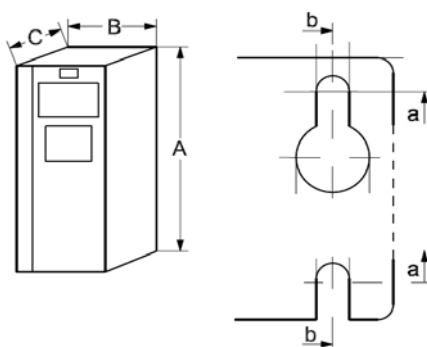
| VLT 2803 1x 200-240V - incl. RFI-filter class 1A (R1) | Article nr. | Price GBP | Article nr. | Price GBP |
|---|-------------|-----------|-------------|-----------|
| Enclosure IP 20 | 195N0003 | 245 | 195N0004 | 273 |
| Enclosure IP20 + Profibus DP 3 Mb | 195N0007 | 353 | 195N0008 | 382 |

| VLT 2803 1x 200-240V - incl. RFI-filter low earthleak (R4) | Article nr. | Price GBP | Article nr. | Price GBP |
|--|-------------|-----------|-------------|-----------|
| Enclosure IP 20 | 195N0203 | 245 | 195N0204 | 273 |
| Enclosure IP20 + Profibus DP 3 Mb | 178B2299 | 353 | 178B3633 | 382 |

Accessories

| | | | |
|---|---------------|----------|-----|
| Motor coil | | 195N3110 | 248 |
| RFI-filter 1B (only icw 1A-filter) | | 195N3103 | 77 |
| RFI-filter 1B / LC-filter (only icw 1A-filter) | | 195N3100 | 225 |
| Terminal cover NEMA 1 | | 195N1900 | 16 |
| Brake Resistor, 40% duty Cycle (0.37Kw) | 40% / 330 ohm | 175U3008 | 58 |
| Flatpack Brakeresistor | 30% / 330 ohm | 175U1003 | 30 |
| For all other accessories and options see the general VLT 2800 accessories/options page | | | |

| Dimensions | A | B | C | a | b | Weight |
|---|-----|----|------|-----|----|--------|
| IP20 enclosure | 200 | 75 | 168 | 191 | 60 | 2 kg |
| Minimal space under and above drive: 100 mm | | | | | | |
| Max. powerloss (heat dissipation) at full power : | | | 24 W | | | |



Prices valid as from June 1st 2012

Danfoss VLT Drives

0870 241 7100

Configure your drive with our Drive Configurator

www.driveconfigurator.com

VLT® 2800

VLT 2805 1/3x 200-240V

CT 160%; 0,55 kW / 3,2 A

ST Standard version

SB ST + brakechopper

| VLT 2805 1/3x 200-240V - excl. RFI-filter (R0) | Article nr. | Price GBP | Article nr. | Price GBP |
|--|-------------|-----------|-------------|-----------|
| | ST | | SB | |
| Enclosure IP 20 | 195N0013 | 215 | 195N0014 | 245 |
| Enclosure IP20 + Profibus DP 3 Mb | 195N0017 | 323 | 195N0018 | 353 |

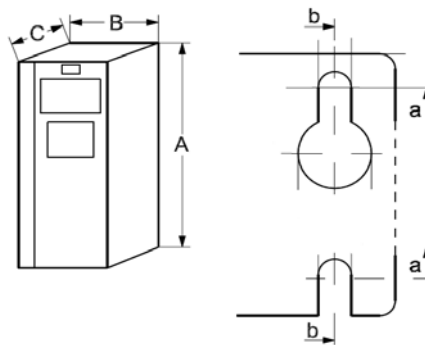
| VLT 2805 1x 200-240V - incl. RFI-filter class 1A (R1) | Article nr. | Price GBP | Article nr. | Price GBP |
|---|-------------|-----------|-------------|-----------|
| Enclosure IP 20 | 195N0015 | 258 | 195N0016 | 287 |
| Enclosure IP20 + Profibus DP 3 Mb | 195N0019 | 365 | 195N0020 | 395 |

| VLT 2805 1x 200-240V - incl. RFI-filter low earthleak (R4) | Article nr. | Price GBP | Article nr. | Price GBP |
|--|-------------|-----------|-------------|-----------|
| Enclosure IP 20 | 195N0215 | 258 | 195N0216 | 287 |
| Enclosure IP20 + Profibus DP 3 Mb | 178B1390 | 365 | 178B3634 | 395 |

Accessories

| | | | | |
|---|---------------|----------|-----|--|
| Motor coil | 195N3110 | 248 | | |
| RFI-filter 1B (only icw 1A-filter) | 195N3103 | 77 | | |
| RFI-filter 1B / LC-filter (only icw 1A-filter) | 195N3100 | 225 | | |
| Terminal cover NEMA 1 | 195N1900 | 16 | | |
| Brake Resistor, 40% duty Cycle (0.55Kw) | 40%/200 | 175U3009 | 311 | |
| Flatpack Brakeresistor | 20% / 220 ohm | 175U1004 | 30 | |
| For all other accessories and options see the general VLT 2800 accessories/options page | | | | |

| Dimensions | A | B | C | a | b | Weight |
|---|-----|----|-----|------|----|--------|
| IP20 enclosure | 200 | 75 | 168 | 191 | 60 | 2 kg |
| Minimal space under and above drive: 100 mm | | | | | | |
| Max. powerloss (heat dissipation) at full power : | | | | 35 W | | |



Prices valid as from June 1st 2012

Danfoss VLT Drives

0870 241 7100

Configure your drive with our Drive Configurator

www.driveconfigurator.com

VLT® 2800

VLT 2807 1/3x 200-240V

CT 160%; 0,75 kW / 4,2 A

ST Standard version

SB ST + brakechopper

| VLT 2807 1/3x 200-240V - excl. RFI-filter (R0) | Article nr. | Price GBP | Article nr. | Price GBP |
|--|-------------|-----------|-------------|-----------|
| | ST | | SB | |
| Enclosure IP 20 | 195N0025 | 229 | 195N0026 | 261 |
| Enclosure IP20 + Profibus DP 3 Mb | 195N0029 | 337 | 195N0030 | 368 |

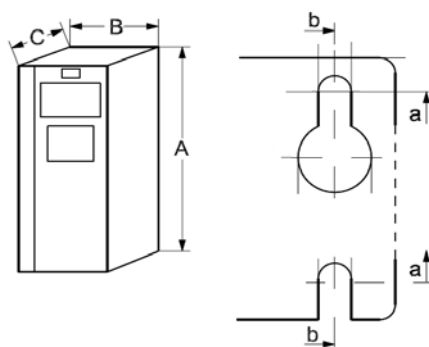
| VLT 2807 1x 200-240V - incl. RFI-filter class 1A (R1) | Article nr. | Price GBP | Article nr. | Price GBP |
|---|-------------|-----------|-------------|-----------|
| Enclosure IP 20 | 195N0027 | 275 | 195N0028 | 305 |
| Enclosure IP20 + Profibus DP 3 Mb | 195N0031 | 383 | 195N0032 | 413 |

| VLT 2807 1x 200-240V - incl. RFI-filter low earthleak (R4) | Article nr. | Price GBP | Article nr. | Price GBP |
|--|-------------|-----------|-------------|-----------|
| Enclosure IP 20 | 195N0227 | 275 | 195N0228 | 305 |
| Enclosure IP20 + Profibus DP 3 Mb | 178B3635 | 383 | 178B3636 | 413 |

Accessories

| | | | | |
|---|---------------|----------|-----|--|
| Motor coil | | 195N3110 | 248 | |
| RFI-filter 1B (only icw 1A-filter) | | 195N3103 | 77 | |
| RFI-filter 1B / LC-filter (only icw 1A-filter) | | 195N3101 | 276 | |
| Terminal cover NEMA 1 | | 195N1900 | 16 | |
| Brake Resistor, 40% duty Cycle (0.75Kw) | 40% / 145 ohm | 175U3124 | 305 | |
| Flatpack Brakeresistor | 14% / 150 ohm | 175U1005 | 30 | |
| For all other accessories and options see the general VLT 2800 accessories/options page | | | | |

| Dimensions | A | B | C | a | b | Weight |
|---|-----|----|------|-----|----|--------|
| IP20 enclosure | 200 | 75 | 168 | 191 | 60 | 2 kg |
| Minimal space under and above drive: 100 mm | | | | | | |
| Max. powerloss (heat dissipation) at full power : | | | 48 W | | | |



Prices valid as from June 1st 2012

Danfoss VLT Drives

0870 241 7100

Configure your drive with our Drive Configurator

www.driveconfigurator.com

VLT® 2800

VLT 2811 1/3x 200-240V

CT 160%; 1,1 kW / 6 A

ST Standard version

SB ST + brakechopper

| VLT 2811 1/3x 200-240V - excl. RFI-filter (R0) | Article nr. | Price GBP | Article nr. | Price GBP |
|--|-------------|-----------|-------------|-----------|
| | ST | | SB | |
| Enclosure IP 20 | 195N0037 | 242 | 195N0038 | 275 |
| Enclosure IP20 + Profibus DP 3 Mb | 195N0041 | 350 | 195N0042 | #NAME? |

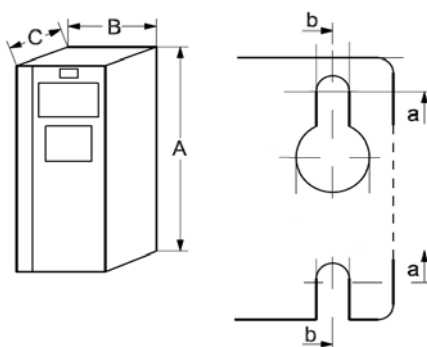
| VLT 2811 1x 200-240V - incl. RFI-filter class 1A (R1) | Article nr. | Price GBP | Article nr. | Price GBP |
|---|-------------|-----------|-------------|-----------|
| Enclosure IP 20 | 195N0039 | 289 | 195N0040 | #NAME? |
| Enclosure IP20 + Profibus DP 3 Mb | 195N0043 | 398 | 195N0044 | #NAME? |

| VLT 2811 1x 200-240V - incl. RFI-filter low earthleak (R4) | Article nr. | Price GBP | Article nr. | Price GBP |
|--|-------------|-----------|-------------|-----------|
| Enclosure IP 20 | 195N0239 | 289 | 195N0240 | #NAME? |
| Enclosure IP20 + Profibus DP 3 Mb | 178B3638 | 398 | 178B3637 | #NAME? |

Accessories

| | | | | |
|---|---------------|----------|-----|--|
| Motor coil | 195N3110 | 248 | | |
| RFI-filter 1B (only icw 1A-filter) | 195N3103 | 77 | | |
| RFI-filter 1B / LC-filter (only icw 1A-filter) | 195N3101 | 276 | | |
| Terminal cover NEMA 1 | 195N1900 | 16 | | |
| Brake Resistor, 40% duty Cycle (1.1Kw) | 40% / 100 ohm | 175U3136 | 333 | |
| Flatpack Brakeresistor | 8% / 100 ohm | 175U1006 | 30 | |
| For all other accessories and options see the general VLT 2800 accessories/options page | | | | |

| Dimensions | A | B | C | a | b | Weight |
|---|-----|----|------|-----|----|--------|
| IP20 enclosure | 200 | 75 | 168 | 191 | 60 | 2 kg |
| Minimal space under and above drive: 100 mm | | | | | | |
| Max. powerloss (heat dissipation) at full power : | | | 69 W | | | |



Prices valid as from June 1st 2012

Danfoss VLT Drives

0870 241 7100

Configure your drive with our Drive Configurator

www.driveconfigurator.com

VLT® 2800

VLT 2815 1/3x 200-240V

CT 160%; 1,5 kW / 6,8 A

ST Standard version

SB ST + brakechopper

| VLT 2815 1/3x 200-240V - excl. RFI-filter (R0) | Article nr. | Price GBP | Article nr. | Price GBP |
|--|-------------|-----------|-------------|-----------|
| | ST | | SB | |
| Enclosure IP 20 | 195N0049 | 281 | 195N0050 | 319 |
| Enclosure IP20 + Profibus DP 3 Mb | 195N0053 | 389 | 195N0054 | 427 |

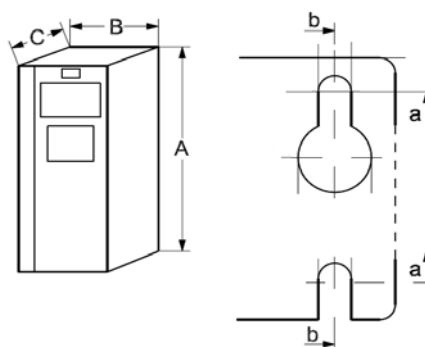
| VLT 2815 1x 200-240V - incl. RFI-filter class 1A (R1) | Article nr. | Price GBP | Article nr. | Price GBP |
|---|-------------|-----------|-------------|-----------|
| Enclosure IP 20 | 195N0051 | 335 | 195N0052 | 373 |
| Enclosure IP20 + Profibus DP 3 Mb | 195N0055 | 443 | 195N0056 | 480 |

| VLT 2815 1x 200-240V - incl. RFI-filter low earthleak (R4) | Article nr. | Price GBP | Article nr. | Price GBP |
|--|-------------|-----------|-------------|-----------|
| Enclosure IP 20 | 195N0251 | 335 | 195N0252 | 373 |
| Enclosure IP20 + Profibus DP 3 Mb | 178B1596 | 443 | 178B3639 | 480 |

Accessories

| | | | | |
|---|--------------|----------|-----|--|
| Motor coil | | 195N3110 | 248 | |
| RFI-filter 1B (only icw 1A-filter) | | 195N3103 | 77 | |
| RFI-filter 1B / LC-filter (only icw 1A-filter) | | 195N3101 | 276 | |
| Terminal cover NEMA 1 | | 195N1900 | 16 | |
| Brake Resistor, 40% duty Cycle (1.5Kw) | 40% /70 ohm | 175U3144 | 219 | |
| Flatpack Brakeresistor | 16% / 72 ohm | 175U0992 | 39 | |
| For all other accessories and options see the general VLT 2800 accessories/options page | | | | |

| Dimensions | A | B | C | a | b | Weight |
|---|-----|----|------|-----|----|--------|
| IP20 enclosure | 200 | 75 | 168 | 191 | 60 | 2 kg |
| Minimal space under and above drive: 100 mm | | | | | | |
| Max. powerloss (heat dissipation) at full power : | | | 94 W | | | |



Prices valid as from June 1st 2012

Danfoss VLT Drives

0870 241 7100

Configure your drive with our Drive Configurator

www.driveconfigurator.com

VLT® 2800

VLT 2805 3x 380-480V

CT 160%; 0,55 kW / 1,7 A

ST Standard version

SB ST + brakechopper

| VLT 2805 3x 380-480V - | excl. RFI-filter (R0) | Article nr. | Price GBP | Article nr. | Price GBP |
|-----------------------------------|-----------------------|-------------|-----------|-------------|-----------|
| | | ST | | SB | |
| Enclosure IP 20 | | 195N1001 | 231 | 195N1002 | 263 |
| Enclosure IP20 + Profibus DP 3 Mb | | 195N1005 | 339 | 195N1006 | 371 |

| VLT 2805 3x 380-480V - | incl. RFI-filter class 1A (R1) | Article nr. | Price GBP | Article nr. | Price GBP |
|-----------------------------------|--------------------------------|-------------|-----------|-------------|-----------|
| Enclosure IP 20 | | 195N1003 | 269 | 195N1004 | 300 |
| Enclosure IP20 + Profibus DP 3 Mb | | 195N1007 | 377 | 195N1008 | 408 |

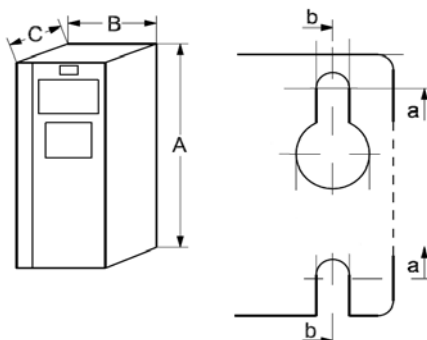
| VLT 2805 3x 380-480V - | incl. RFI-filter low earthleak (R4) | Article nr. | Price GBP | Article nr. | Price GBP |
|-----------------------------------|-------------------------------------|-------------|-----------|-------------|-----------|
| Enclosure IP 20 | | 178B2162 | 269 | 178B2371 | 300 |
| Enclosure IP20 + Profibus DP 3 Mb | | 178B3615 | 377 | 178B3616 | 408 |

Accessories

| | | | | | |
|--|---------------|----------|-----|--|--|
| Motor coil | | 195N3110 | 248 | | |
| RFI-filter 1B (only icw 1A-filter) | | 195N3103 | 77 | | |
| RFI-filter 1B / LC-filter (only icw 1A-filter) | | 195N3100 | 225 | | |
| EMC filter for long motorcables | | 192H4719 | 40 | | |
| Terminal cover NEMA 1 | | 195N1900 | 16 | | |
| Brake Resistor, 40% duty Cycle (0.55Kw) | 40% / 850 ohm | 175U3104 | 202 | | |
| Flatpack Brakeresistor | 20% / 830 ohm | 175U1000 | 30 | | |

For all other accessories and options see the general VLT 2800 accessories/options page

| Dimensions | A | B | C | a | b | Weight |
|---|-----|----|-----|------|----|--------|
| IP20 enclosure | 200 | 75 | 168 | 191 | 60 | 2,1 kg |
| Minimal space under and above drive: 100 mm | | | | | | |
| Max. powerloss (heat dissipation) at full power : | | | | 28 W | | |



Prices valid as from June 1st 2012

Danfoss VLT Drives

0870 241 7100

Configure your drive with our Drive Configurator

www.driveconfigurator.com

VLT® 2800

VLT 2807 3x 380-480V

CT 160%; 0,75 kW / 2,1 A

ST Standard version

SB ST + brakechopper

| VLT 2807 3x 380-480V - | excl. RFI-filter (R0) | Article nr. | Price GBP | Article nr. | Price GBP |
|-----------------------------------|-----------------------|-------------|-----------|-------------|-----------|
| | | ST | | SB | |
| Enclosure IP 20 | | 195N1013 | 268 | 195N1014 | 304 |
| Enclosure IP20 + Profibus DP 3 Mb | | 195N1017 | 376 | 195N1018 | 412 |

| VLT 2807 3X 380-480V - | incl. RFI-filter class 1A (R1) | Article nr. | Price GBP | Article nr. | Price GBP |
|-----------------------------------|--------------------------------|-------------|-----------|-------------|-----------|
| Enclosure IP 20 | | 195N1015 | 312 | 195N1016 | 349 |
| Enclosure IP20 + Profibus DP 3 Mb | | 195N1019 | 420 | 195N1020 | 457 |

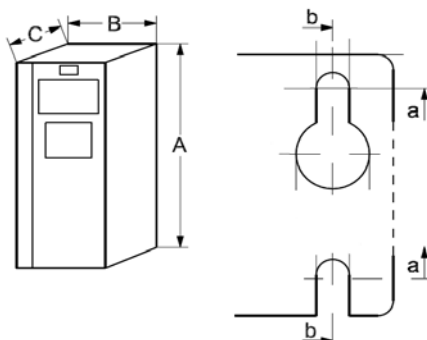
| VLT 2807 3x 380-480V - | incl. RFI-filter low earthleak (R4) | Article nr. | Price GBP | Article nr. | Price GBP |
|-----------------------------------|-------------------------------------|-------------|-----------|-------------|-----------|
| Enclosure IP 20 | | 178B1434 | 312 | 178B2302 | 349 |
| Enclosure IP20 + Profibus DP 3 Mb | | 178B3618 | 420 | 178B3617 | 457 |

Accessories

| | | | | | |
|--|---------------|----------|-----|--|--|
| Motor coil | | 195N3110 | 248 | | |
| RFI-filter 1B (only icw 1A-filter) | | 195N3103 | 77 | | |
| RFI-filter 1B / LC-filter (only icw 1A-filter) | | 195N3100 | 225 | | |
| EMC filter for long motorcables | | 192H4719 | 40 | | |
| Terminal cover NEMA 1 | | 195N1900 | 16 | | |
| Brake Resistor, 40% duty Cycle (0.75Kw) | 40% / 630 ohm | 175U3108 | 164 | | |
| Flatpack Brakeresistor | 14% / 620 ohm | 175U1001 | 30 | | |

For all other accessories and options see the general VLT 2800 accessories/options page

| Dimensions | A | B | C | a | b | Weight |
|---|-----|----|-----|------|----|--------|
| IP20 enclosure | 200 | 75 | 168 | 191 | 60 | 2,1 kg |
| Minimal space under and above drive: 100 mm | | | | | | |
| Max. powerloss (heat dissipation) at full power : | | | | 38 W | | |



Prices valid as from June 1st 2012

Danfoss VLT Drives

0870 241 7100

Configure your drive with our Drive Configurator

www.driveconfigurator.com

VLT® 2800

VLT 2811 3x 380-480V

CT 160%; 1,1 kW / 3 A

ST Standard version

SB ST + brakechopper

| VLT 2811 3x 380-480V - | excl. RFI-filter (R0) | Article nr. | Price GBP | Article nr. | Price GBP |
|-----------------------------------|-----------------------|-------------|-----------|-------------|-----------|
| | | ST | | SB | |
| Enclosure IP 20 | | 195N1025 | 308 | 195N1026 | 351 |
| Enclosure IP20 + Profibus DP 3 Mb | | 195N1029 | 417 | 195N1030 | 459 |

| VLT 2811 3x 380-480V - | incl. RFI-filter class 1A (R1) | Article nr. | Price GBP | Article nr. | Price GBP |
|-----------------------------------|--------------------------------|-------------|-----------|-------------|-----------|
| Enclosure IP 20 | | 195N1027 | 360 | 195N1028 | 403 |
| Enclosure IP20 + Profibus DP 3 Mb | | 195N1031 | 469 | 195N1032 | 511 |

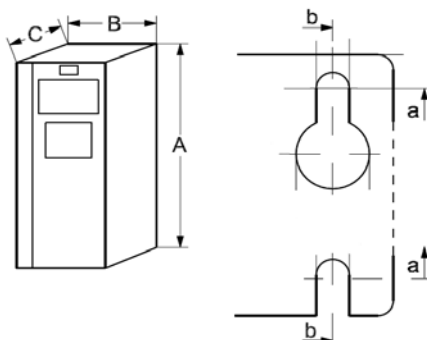
| VLT 2811 3x 380-480V - | incl. RFI-filter low earthleak (R4) | Article nr. | Price GBP | Article nr. | Price GBP |
|-----------------------------------|-------------------------------------|-------------|-----------|-------------|-----------|
| Enclosure IP 20 | | 178B2315 | 360 | 178B3630 | 403 |
| Enclosure IP20 + Profibus DP 3 Mb | | 178B3619 | 469 | 178B3620 | 511 |

Accessories

| | | | | | |
|--|---------------|----------|-----|--|--|
| Motor coil | | 195N3110 | 248 | | |
| RFI-filter 1B (only icw 1A-filter) | | 195N3103 | 77 | | |
| RFI-filter 1B / LC-filter (only icw 1A-filter) | | 195N3100 | 225 | | |
| EMC filter for long motorcables | | 192H4719 | 40 | | |
| Terminal cover NEMA 1 | | 195N1900 | 16 | | |
| Brake Resistor, 40% duty Cycle (1.1Kw) | 40% / 410 ohm | 17503114 | 187 | | |
| Flatpack Brakeresistor | 8% / 430 ohm | 175U1002 | 30 | | |

For all other accessories and options see the general VLT 2800 accessories/options page

| Dimensions | A | B | C | a | b | Weight |
|---|-----|----|-----|------|----|--------|
| IP20 enclosure | 200 | 75 | 168 | 191 | 60 | 2,1 kg |
| Minimal space under and above drive: 100 mm | | | | | | |
| Max. powerloss (heat dissipation) at full power : | | | | 55 W | | |



Prices valid as from June 1st 2012

Danfoss VLT Drives

0870 241 7100

Configure your drive with our Drive Configurator

www.driveconfigurator.com

VLT® 2800

VLT 2815 3x 380-480V

CT 160%; 1,5 kW / 3,7 A

ST Standard version

SB ST + brakechopper

| VLT 2815 3x 380-480V - | excl. RFI-filter (R0) | Article nr. | Price GBP | Article nr. | Price GBP |
|-----------------------------------|-----------------------|-------------|-----------|-------------|-----------|
| | | ST | | SB | |
| Enclosure IP 20 | | 195N1037 | 359 | 195N1038 | 409 |
| Enclosure IP20 + Profibus DP 3 Mb | | 195N1041 | 467 | 195N1042 | 517 |

| VLT 2815 3x 380-480V - | incl. RFI-filter class 1A (R1) | Article nr. | Price GBP | Article nr. | Price GBP |
|-----------------------------------|--------------------------------|-------------|-----------|-------------|-----------|
| Enclosure IP 20 | | 195N1039 | 419 | 195N1040 | 469 |
| Enclosure IP20 + Profibus DP 3 Mb | | 195N1043 | 527 | 195N1044 | 577 |

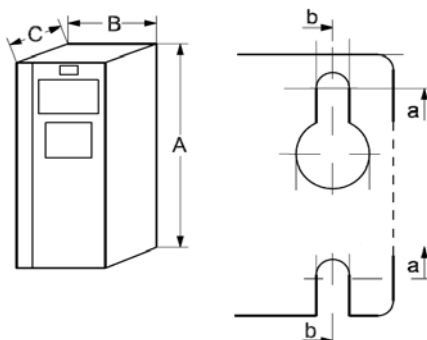
| VLT 2815 3x 380-480V - | incl. RFI-filter low earthleak (R4) | Article nr. | Price GBP | Article nr. | Price GBP |
|-----------------------------------|-------------------------------------|-------------|-----------|-------------|-----------|
| Enclosure IP 20 | | 178B1435 | 419 | 178B2303 | 469 |
| Enclosure IP20 + Profibus DP 3 Mb | | 178B3622 | 527 | 178B3621 | 577 |

Accessories

| | | | | | |
|--|---------------|----------|-----|--|--|
| Motor coil | | 195N3110 | 248 | | |
| RFI-filter 1B (only icw 1A-filter) | | 195N3103 | 77 | | |
| RFI-filter 1B / LC-filter (only icw 1A-filter) | | 195N3100 | 225 | | |
| EMC filter for long motorcables | | 192H4719 | 40 | | |
| Terminal cover NEMA 1 | | 195N1900 | 16 | | |
| Brake Resistor, 40% duty Cycle (1.5Kw) | 40% / 270 ohm | 175U3116 | 204 | | |
| Flatpack Brakeresistor | 16% / 310 ohm | 175U0984 | 39 | | |

For all other accessories and options see the general VLT 2800 accessories/options page

| Dimensions | A | B | C | a | b | Weight |
|---|-----|----|-----|------|----|--------|
| IP20 enclosure | 200 | 75 | 168 | 191 | 60 | 2,1 kg |
| Minimal space under and above drive: 100 mm | | | | | | |
| Max. powerloss (heat dissipation) at full power : | | | | 75 W | | |



Prices valid as from June 1st 2012

Danfoss VLT Drives

0870 241 7100

Configure your drive with our Drive Configurator

www.driveconfigurator.com

VLT® 2800

VLT 2822 3x 380-480V

CT 160%; 2,2 kW / 5,2 A

ST Standard version

SB ST + brakechopper

| VLT 2822 3x 380-480V - | excl. RFI-filter (R0) | Article nr. | Price GBP | Article nr. | Price GBP |
|-----------------------------------|-----------------------|-------------|-----------|-------------|-----------|
| | | ST | | SB | |
| Enclosure IP 20 | | 195N1049 | 445 | 195N1050 | 506 |
| Enclosure IP20 + Profibus DP 3 Mb | | 195N1053 | 553 | 195N1054 | 614 |

| VLT 2822 3x 380-480V - | incl. RFI-filter class 1A (R1) | Article nr. | Price GBP | Article nr. | Price GBP |
|-----------------------------------|--------------------------------|-------------|-----------|-------------|-----------|
| Enclosure IP 20 | | 195N1051 | 518 | 195N1052 | 579 |
| Enclosure IP20 + Profibus DP 3 Mb | | 195N1055 | 626 | 195N1056 | 687 |

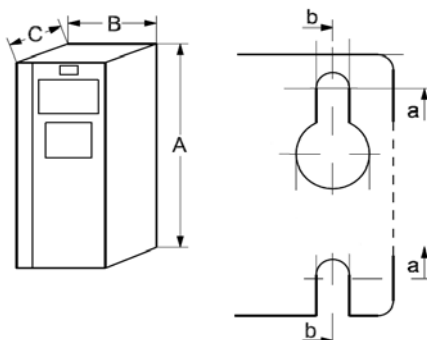
| VLT 2822 3x 380-480V - | incl. RFI-filter low earthleak (R4) | Article nr. | Price GBP | Article nr. | Price GBP |
|-----------------------------------|-------------------------------------|-------------|-----------|-------------|-----------|
| Enclosure IP 20 | | 178B1466 | 518 | 178B2903 | 579 |
| Enclosure IP20 + Profibus DP 3 Mb | | 178B3623 | 626 | 178B3625 | 687 |

Accessories

| | | | | | |
|--|---------------|----------|-----|--|--|
| Motor coil | | 195N3110 | 248 | | |
| RFI-filter 1B (only icw 1A-filter) | | 195N3103 | 77 | | |
| RFI-filter 1B / LC-filter (only icw 1A-filter) | | 195N3101 | 276 | | |
| EMC filter for long motorcables | | 192H4720 | 74 | | |
| Terminal cover NEMA 1 | | 195N1901 | 16 | | |
| Brake Resistor, 40% duty Cycle (2.2Kw) | 40% / 200 ohm | 175U3120 | 251 | | |
| Flatpack Brakeresistor | 9% / 210 ohm | 175U0987 | 39 | | |

For all other accessories and options see the general VLT 2800 accessories/options page

| Dimensions | A | B | C | a | b | Weight |
|---|-------|----|-----|-------|----|--------|
| IP20 enclosure | 267.5 | 90 | 168 | 257 | 70 | 3,7 kg |
| Minimal space under and above drive: 100 mm | | | | | | |
| Max. powerloss (heat dissipation) at full power : | | | | 110 W | | |



Prices valid as from June 1st 2012

Danfoss VLT Drives

0870 241 7100

Configure your drive with our Drive Configurator

www.driveconfigurator.com

VLT® 2800

VLT 2830 3x 380-480V

CT 160%; 3 kW / 7 A

ST Standard version

SB ST + brakechopper

| VLT 2830 3x 380-480V - | excl. RFI-filter (R0) | Article nr. | Price GBP | Article nr. | Price GBP |
|-----------------------------------|-----------------------|-------------|-----------|-------------|-----------|
| | | ST | | SB | |
| Enclosure IP 20 | | 195N1061 | 501 | 195N1062 | 570 |
| Enclosure IP20 + Profibus DP 3 Mb | | 195N1065 | 610 | 195N1066 | 678 |

| VLT 2830 3x 380-480V - | incl. RFI-filter class 1A (R1) | Article nr. | Price GBP | Article nr. | Price GBP |
|-----------------------------------|--------------------------------|-------------|-----------|-------------|-----------|
| Enclosure IP 20 | | 195N1063 | 584 | 195N1064 | 653 |
| Enclosure IP20 + Profibus DP 3 Mb | | 195N1067 | 692 | 195N1068 | 761 |

| VLT 2830 3x 380-480V - | incl. RFI-filter low earthleak (R4) | Article nr. | Price GBP | Article nr. | Price GBP |
|-----------------------------------|-------------------------------------|-------------|-----------|-------------|-----------|
| Enclosure IP 20 | | 178B1467 | 584 | 178B3287 | 653 |
| Enclosure IP20 + Profibus DP 3 Mb | | 178B3627 | 692 | 178B3626 | 761 |

Accessories

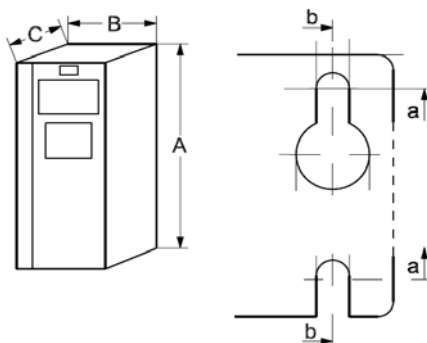
| | | | | | |
|--|----------------|----------|-----|----------------|--|
| Motor coil | | 195N3110 | 248 | | |
| RFI-filter 1B (only icw 1A-filter) | | 195N3103 | 77 | | |
| RFI-filter 1B / LC-filter (only icw 1A-filter) | | 195N3101 | 276 | | |
| EMC filter for long motorcables | | 192H4720 | 74 | | |
| Terminal cover NEMA 1 | | 195N1901 | 77 | | |
| Brake Resistor, 40% duty Cycle (3.0Kw) | 40% / 145 ohm | 175U3126 | 287 | | |
| Flatpack Brakeresistor | 5,5% / 150 ohm | 175U0989 | 39 | | |
| Flatpack Brakeresistor | | 175U0985 | 39 | (2 pcs needed) | |

For all other accessories and options see the general VLT 2800 accessories/options page

| Dimensions | A | B | C | a | b | Weight |
|----------------|---|----|-----|-----|----|--------|
| IP20 enclosure | | 90 | 168 | 257 | 70 | 3,7 kg |

Minimal space under and above drive: 100 mm

Max. powerloss (heat dissipation) at full power : 150 W



Prices valid as from June 1st 2012

Danfoss VLT Drives

0870 241 7100

Configure your drive with our Drive Configurator

www.driveconfigurator.com

VLT® 2800

VLT 2840 3x 380-480V

CT 160%; 4 kW / 9,1 A

ST Standard version
 SB ST + brakechopper

| VLT 2840 3x 380-480V - | excl. RFI-filter (R0) | Article nr. | Price GBP | Article nr. | Price GBP |
|-----------------------------------|-----------------------|-------------|-----------|-------------|-----------|
| | | ST | | SB | |
| Enclosure IP 20 | | 195N1073 | 548 | 195N1074 | 622 |
| Enclosure IP20 + Profibus DP 3 Mb | | 195N1077 | 656 | 195N1078 | 730 |

| VLT 2840 3x 380-480V - | incl. RFI-filter class 1A (R1) | Article nr. | Price GBP | Article nr. | Price GBP |
|-----------------------------------|--------------------------------|-------------|-----------|-------------|-----------|
| Enclosure IP 20 | | 195N1075 | 638 | 195N1076 | 713 |
| Enclosure IP20 + Profibus DP 3 Mb | | 195N1079 | 746 | 195N1080 | 820 |

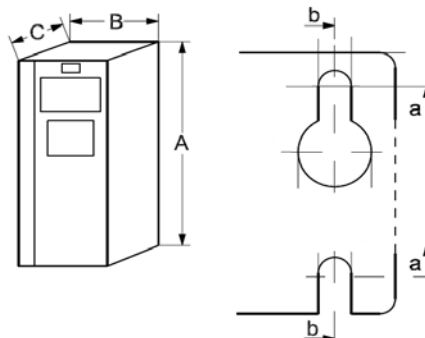
| VLT 2840 3x 380-480V - | incl. RFI-filter low earthleak (R4) | Article nr. | Price GBP | Article nr. | Price GBP |
|-----------------------------------|-------------------------------------|-------------|-----------|-------------|-----------|
| Enclosure IP 20 | | 178B2389 | 638 | 178B3288 | 713 |
| Enclosure IP20 + Profibus DP 3 Mb | | 178B3628 | 746 | 178B3629 | 820 |

Accessories

| | | | | | |
|--|---------------|----------|-----|----------------|--|
| Motor coil | | 195N3110 | 248 | | |
| RFI-filter 1B (only icw 1A-filter) | | 195N3103 | 77 | | |
| RFI-filter 1B / LC-filter (only icw 1A-filter) | | 195N3101 | 276 | | |
| EMC filter for long motorcables | | 192H4720 | 74 | | |
| Terminal cover NEMA 1 | | 195N1901 | 77 | | |
| Brake Resistor, 40% duty Cycle (4.0Kw) | 40% / 110 ohm | 175U3130 | 359 | | |
| Flatpack Brakeresistor | 11% / 240 ohm | 175U0986 | 39 | (2 pcs needed) | |

For all other accessories and options see the general VLT 2800 accessories/options page

| Dimensions | A | B | C | a | b | Weight |
|---|-------|----|-----|-------|----|--------|
| IP20 enclosure | 267.5 | 90 | 168 | 257 | 70 | 3,7 kg |
| Minimal space under and above drive: 100 mm | | | | | | |
| Max. powerloss (heat dissipation) at full power : | | | | 200 W | | |



Prices valid as from June 1st 2012

Danfoss VLT Drives

0870 241 7100

Configure your drive with our Drive Configurator

www.driveconfigurator.com

VLT® 2800

VLT 2855 3x 380-480V

CT 160%; 5,5 kW / 12 A

ST Standard version

SB ST + brakechopper

| VLT 2855 3x 380-480V - | excl. RFI-filter (R0) | Article nr. | Price GBP | Article nr. | Price GBP |
|-----------------------------------|-----------------------|-------------|-----------|-------------|-----------|
| | | ST | | SB | |
| Enclosure IP 20 | | 195N1085 | 651 | 195N1086 | 741 |
| Enclosure IP20 + Profibus DP 3 Mb | | 195N1089 | 759 | 195N1090 | 849 |

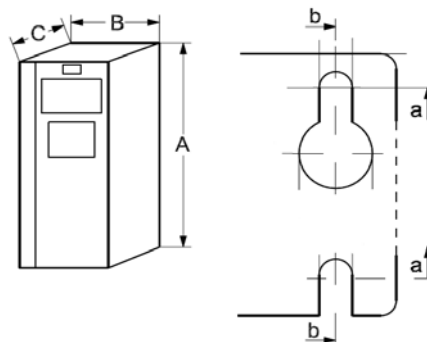
| VLT 2855 3X 380-480V - | incl. RFI-filter class 1A (R1) | Article nr. | Price GBP | Article nr. | Price GBP |
|-----------------------------------|--------------------------------|-------------|-----------|-------------|-----------|
| Enclosure IP 20 | | 195N1087 | 759 | 195N1088 | 849 |
| Enclosure IP20 + Profibus DP 3 Mb | | 195N1091 | 867 | 195N1092 | 957 |

Accessories

| | | | | | |
|--|--------|----------|-----|--|--|
| Motor coil | | 195N3110 | 248 | | |
| RFI-filter 1B (only icw 1A-filter) | | 195N3103 | 77 | | |
| EMC filter for long motorcables | | 192H4893 | 90 | | |
| Terminal cover NEMA 1 | | 195N1902 | 17 | | |
| Brake Resistor, 40% duty Cycle (5.5Kw) | 80 Ohm | 175U3138 | 325 | | |

For all other accessories and options see the general VLT 2800 accessories/options page

| Dimensions | A | B | C | a | b | Weight |
|---|-------|-----|-------|-----|-----|--------|
| IP20 enclosure | 267.5 | 140 | 168 | 257 | 120 | 6,0 kg |
| Minimal space under and above drive: 100 mm | | | | | | |
| Max. powerloss (heat dissipation) at full power : | | | 275 W | | | |



Prices valid as from June 1st 2012

Danfoss VLT Drives

0870 241 7100

Configure your drive with our Drive Configurator

www.driveconfigurator.com

VLT® 2800

VLT 2875 3x 380-480V

CT 160%; 7,5 kW / 16 A

ST Standard version

SB ST + brakechopper

| VLT 2875 3x 380-480V - | excl. RFI-filter (R0) | Article nr. | Price GBP | Article nr. | Price GBP |
|-----------------------------------|-----------------------|-------------|-----------|-------------|-----------|
| | | ST | | SB | |
| Enclosure IP 20 | | 195N1097 | 756 | 195N1098 | 860 |
| Enclosure IP20 + Profibus DP 3 Mb | | 195N1101 | 864 | 195N1102 | 968 |

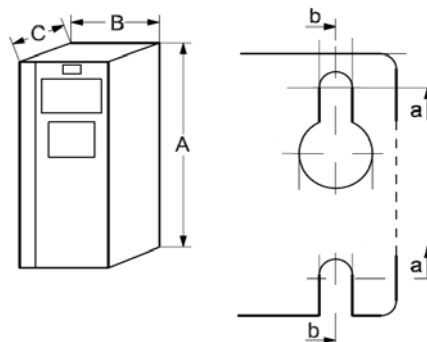
| VLT 2875 3X 380-480V - | incl. RFI-filter class 1A (R1) | Article nr. | Price GBP | Article nr. | Price GBP |
|-----------------------------------|--------------------------------|-------------|-----------|-------------|-----------|
| Enclosure IP 20 | | 195N1099 | 882 | 195N1100 | 985 |
| Enclosure IP20 + Profibus DP 3 Mb | | 195N1103 | 989 | 195N1104 | 1093 |

Accessories

| | | | | | |
|--|--------------|----------|-----|--|--|
| Motor coil | | 195N3110 | 248 | | |
| RFI-filter 1B (only icw 1A-filter) | | 195N3103 | 77 | | |
| EMC filter for long motorcables | | 192H4893 | 90 | | |
| Terminal cover NEMA 1 | | 195N1902 | 17 | | |
| Brake Resistor, 40% duty Cycle (7.5Kw) | 40% / 56 ohm | 175U3146 | 373 | | |

For all other accessories and options see the general VLT 2800 accessories/options page

| Dimensions | A | B | C | a | b | Weight |
|---|-------|-----|-----|-------|-----|--------|
| IP20 enclosure | 267.5 | 140 | 168 | 257 | 120 | 6,0 kg |
| Minimal space under and above drive: 100 mm | | | | | | |
| Max. powerloss (heat dissipation) at full power : | | | | 372 W | | |



Prices valid as from June 1st 2012

Danfoss VLT Drives

0870 241 7100

Configure your drive with our Drive Configurator

www.driveconfigurator.com

VLT® 2800

VLT 2880 3x 380-480V

CT 160%; 11 kW / 24 A

ST Standard version

SB ST + brakechopper

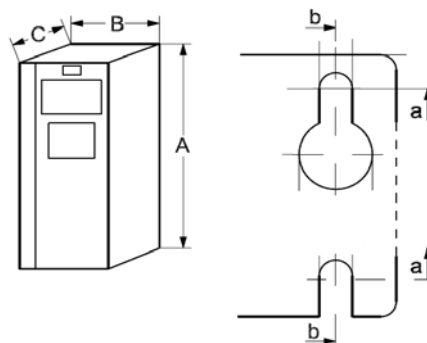
| VLT 2880 3x 380-480V - | excl. RFI-filter (R0) | Article nr. | Price GBP | Article nr. | Price GBP |
|-----------------------------------|-----------------------|-------------|-----------|-------------|-----------|
| | | ST | | SB | |
| Enclosure IP 20 | | 195N1109 | 891 | 195N1110 | 891 |
| Enclosure IP20 + Profibus DP 3 Mb | | 195N1113 | 1000 | 195N1114 | 1000 |

| VLT 2880 3X 380-480V - | incl. RFI-filter class 1A (R1) | Article nr. | Price GBP | Article nr. | Price GBP |
|-----------------------------------|--------------------------------|-------------|-----------|-------------|-----------|
| Enclosure IP 20 | | 195N1111 | 1030 | 195N1112 | 1030 |
| Enclosure IP20 + Profibus DP 3 Mb | | 195N1115 | 1138 | 195N1116 | 1138 |

Accessories

| | | | | | |
|---|--------------|----------|-----|--|--|
| Terminal cover NEMA 1 | | 195N1902 | 17 | | |
| Brake Resistor, 40% duty Cycle (11Kw) | 40% / 38 ohm | 175U3156 | 699 | | |
| For all other accessories and options see the general VLT 2800 accessories/options page | | | | | |

| Dimensions | A | B | C | a | b | Weight |
|---|-----|-----|-------|-----|-----|---------|
| IP20 enclosure | 505 | 200 | 244 | 490 | 120 | 18,5 kg |
| Minimal space under and above drive: 100 mm | | | | | | |
| Max. powerloss (heat dissipation) at full power : | | | 412 W | | | |



Prices valid as from June 1st 2012

Danfoss VLT Drives

0870 241 7100

Configure your drive with our Drive Configurator

www.driveconfigurator.com

VLT® 2800

VLT 2881 3x 380-480V

CT 160%; 15 kW / 32 A

ST Standard version

SB ST + brakechopper

| VLT 2881 3x 380-480V - | excl. RFI-filter (R0) | Article nr. | Price GBP | Article nr. | Price GBP |
|-----------------------------------|-----------------------|-------------|-----------|-------------|-----------|
| | | ST | | SB | |
| Enclosure IP 20 | | 195N1121 | 1045 | 195N1122 | 1218 |
| Enclosure IP20 + Profibus DP 3 Mb | | 195N1125 | 1153 | 195N1126 | 1326 |

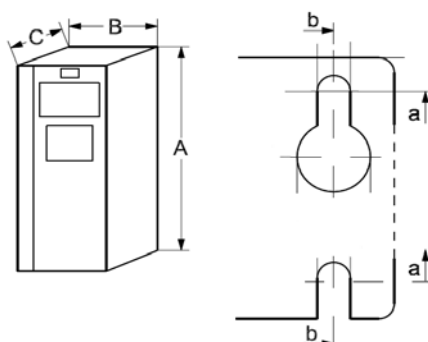
| VLT 2881 3X 380-480V - | incl. RFI-filter class 1A (R1) | Article nr. | Price GBP | Article nr. | Price GBP |
|-----------------------------------|--------------------------------|-------------|-----------|-------------|-----------|
| Enclosure IP 20 | | 195N1123 | 1186 | 195N1124 | 1359 |
| Enclosure IP20 + Profibus DP 3 Mb | | 195N1127 | 1294 | 195N1128 | 1467 |

Accessories

| | | | | | |
|---|--------------|----------|------|--|--|
| Terminal cover NEMA 1 | | 195N1902 | 17 | | |
| Brake Resistor, 40% duty Cycle (15.0Kw) | 40% / 28 ohm | 175U3166 | 1145 | | |

For all other accessories and options see the general VLT 2800 accessories/options page

| Dimensions | A | B | C | a | b | Weight |
|---|-----|-----|-------|-----|-----|---------|
| IP20 enclosure | 505 | 200 | 244 | 490 | 120 | 18,5 kg |
| Minimal space under and above drive: 100 mm | | | | | | |
| Max. powerloss (heat dissipation) at full power : | | | 562 W | | | |



Prices valid as from June 1st 2012

Danfoss VLT Drives

0870 241 7100

Configure your drive with our Drive Configurator

www.driveconfigurator.com

VLT® 2800

VLT 2882 3x 380-480V

CT 160%; 18,5 kW / 37,5 A

ST Standard version

SB ST + brakechopper

| VLT 2882 3x 380-480V - | excl. RFI-filter (R0) | Article nr. | Price GBP | Article nr. | Price GBP |
|-----------------------------------|-----------------------|-------------|-----------|-------------|-----------|
| | | ST | | SB | |
| Enclosure IP 20 | | 195N1133 | 1321 | 195N1134 | 1517 |
| Enclosure IP20 + Profibus DP 3 Mb | | 195N1137 | 1429 | 195N1138 | 1625 |

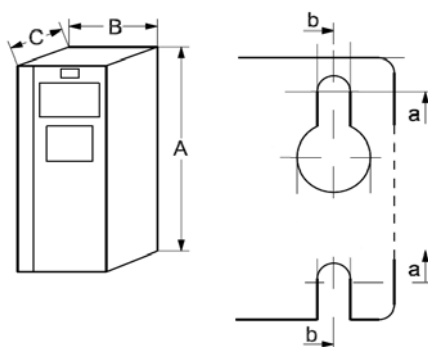
| VLT 2882 3X 380-480V - | incl. RFI-filter class 1A (R1) | Article nr. | Price GBP | Article nr. | Price GBP |
|-----------------------------------|--------------------------------|-------------|-----------|-------------|-----------|
| Enclosure IP 20 | | 195N1135 | 1485 | 195N1136 | 1681 |
| Enclosure IP20 + Profibus DP 3 Mb | | 195N1139 | 1593 | 195N1140 | 1788 |

Accessories

| | | | | | |
|---|--------------|----------|-----|--|--|
| Terminal cover NEMA 1 | | 195N1902 | 17 | | |
| Brake Resistor, 40% duty Cycle (18.5Kw) | 40% / 22 ohm | 175U3070 | 698 | | |

For all other accessories and options see the general VLT 2800 accessories/options page

| Dimensions | A | B | C | a | b | Weight |
|---|-----|-----|-------|-----|-----|---------|
| IP20 enclosure | 505 | 200 | 244 | 490 | 120 | 18,5 kg |
| Minimal space under and above drive: 100 mm | | | | | | |
| Max. powerloss (heat dissipation) at full power : | | | 693 W | | | |



Prices valid as from June 1st 2012

Danfoss VLT Drives

0870 241 7100

Configure your drive with our Drive Configurator

www.driveconfigurator.com

VLT 2800

General Options for the VLT 2800

| Description | Article nr. | Price GBP |
|---|-------------|-----------|
| Numeric display LCP2 | 175N0131 | 95 |
| LCP-cable (length 3 meters incl. connectors) | 175Z0929 | 16 |
| LCP-kit for remote mounting of display (incl. 3 mtr cable, excl. display) | 175Z0850 | 39 |
| Profibus DP 12Mb interface | | 138 |
| DeviceNet interface | | 81 |
| DeviceNet cable | 195N3113 | 28.62 |
| IP21 Top cover VLT2803-15/200V, VLT2805-15/400V | 195N2179 | 22 |
| IP21 Top cover VLT2822/200V, VLT2822-40/400V | 195N2180 | 22 |
| IP21 Top cover VKT2840/200V, VLT2855-75/400V | 195N2181 | 29 |
| IP21 Top cover VLT2880-82/400V | 195N2182 | 34 |
| Mounting bracket for flatpack brakeresistor 100W | 175U0011 | 5 |
| Mounting bracket for flatpack brakeresistor 200W | 175U0009 | 6 |